



★ ★ ★ ★ ★ **HELLO KITTY** ★ ★ ★ ★ ★
©1976, 2015 SANRIO CO., LTD.

POWER BANK CHARGER



KT4805
USER MANUAL



THIS IS NOT A TOY!

PLEASE READ THIS USER MANUAL COMPLETELY BEFORE OPERATING
THIS UNIT AND RETAIN THIS BOOKLET FOR FUTURE REFERENCE.

COMPLIANCE WITH FCC REGULATIONS

This device complies with Part 15 of the FCC Rules. Operation is subject to the following two conditions:

- (1) This device may not cause harmful interference, and
- (2) This device must accept any interference received, including interference that may cause undesired operation.

This equipment has been tested and found to comply with the limits for a class B digital device, pursuant to Part 15 of the FCC Rules. These limits are designed to provide reasonable protection against harmful interference in a residential installation. This equipment generates uses and can radiate radio frequency energy and, if not installed and used in accordance with the instructions, may cause harmful interference to radio communications. However, there is no guarantee that interference will not occur in a particular installation. If this equipment does cause harmful interference to radio or television reception, which can be determined by turning the equipment off and on, the user is encouraged to try to correct the interference by one or more of the following measures:

- Reorient or relocate the receiving antenna.
- Increase the separation between the equipment and receiver.
- Connect the equipment into an outlet on a circuit different from that to which the receiver is connected.
- Consult the dealer or an experienced radio/TV technician for help.

CAUTION: Changes or modifications not expressly approved by the party responsible for compliance could void the user's authority to operate the equipment.

DEAR HELLO KITTY CUSTOMER

We have endeavored to ensure that your product was in excellent condition when it left our factory. It was designed to give you many years of pleasure without problem. Read this manual before operating this unit in order to become familiar with its features and performance that will satisfy you for a long time. For future reference, record the serial number in the space provided for this purpose.

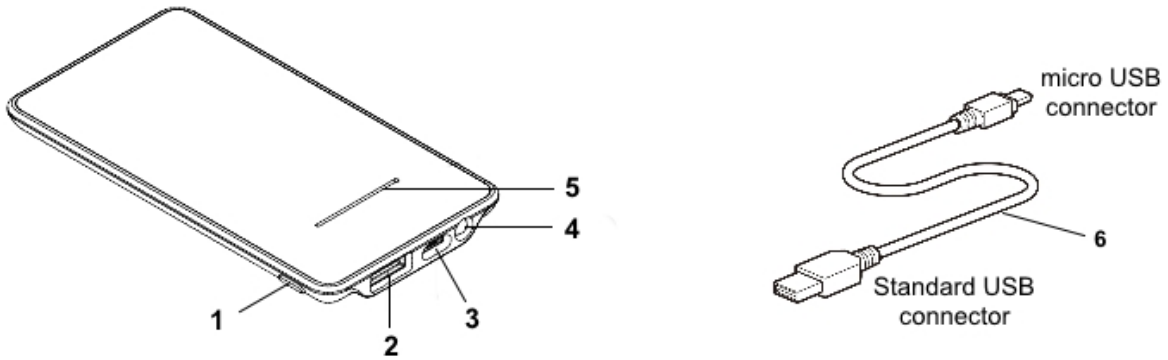
Model: KT4805

Serial Number: _____

IMPORTANT NOTES BEFORE USE

- The Power Bank Charger should be fully charged before first use.
- Do not short circuit the input or output terminals of unit. To avoid short circuiting, keep the unit away from all metal objects (e.g. keys, coins, paper clips, etc.)
- Do not expose this product to liquid or use it in a wet place.
- Please make sure the product is used in a well ventilated environment to avoid from possible overheating.
- Children, the elderly or the disabled should use the product under adequate supervision and guidance.
- While charging, keep the unit away from TV, radio or tuner to avoid possible interference.
- To avoid an electric shock, never attempt to open and/or repair the unit. No serviceable parts are inside.
- Do not drop, place heavy weight on, or allow strong impact to this product.
- Do not heat the unit or dispose of it in fire.

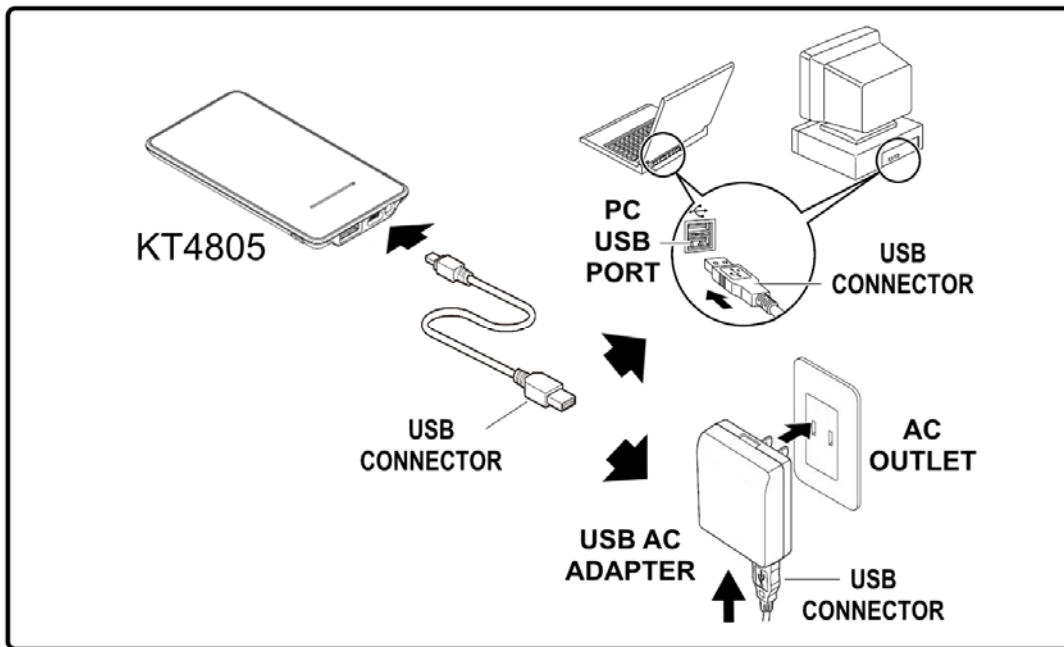
PRODUCT INFORMATION



1	Power Button	4	LED Flash Light
2	USB Output Port	5	LED Power Level Indicators (4 LEDs)
3	Micro USB Input Port	6	Micro USB Cable (10.5")

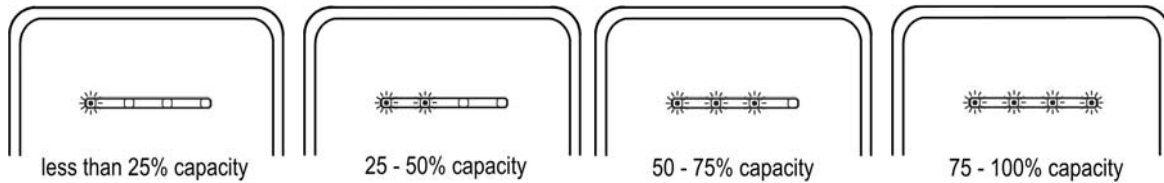
SETTING UP FOR OPERATION

RECHARGING THE POWER BANK



1. When the Power Meter on the Power Bank Charger drops to a low level, it means the internal battery is almost exhausted and you should recharge it as soon as possible.
2. To charge the battery, connect the Micro USB connector of the included USB Cable into the Micro USB Input Port of the unit.
3. Connect the other end of the included USB Cable to either a DC 5V $\overline{\text{---}}$ 1A USB AC Adapter (not included) or a standard USB port of your personal computer or laptop.
4. As time elapses, the Power Level Indicator LEDs will gradually light up one by one (the LED on the far right will flash during charging) until all four are steadily lit indicating the unit is now fully charged.

LED POWER LEVEL INDICATOR STATUS



5. Unplug the unit from the power source as soon as possible to conserve energy.

Important:

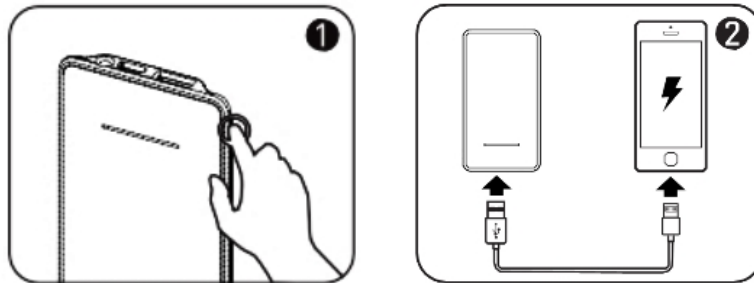
We recommend to charge your Power Bank Charger for at least 6 hours before first use.

CHARGING YOUR DEVICES

CAUTION:

Before charging, please refer to the user manual of the device you wish to charge to make sure the charging current required does not exceed 1 Amp (1000 mA). Overloading the charging circuit may damage the Power Bank Charger and void the warranty.

1. Press the Power Button on the Power Bank Charger to check the battery level.
2. Connect the standard USB connector of your Power Bank Charger to your device to be charged using the included micro USB cable or the original USB cable that comes with your device.



Notes:

- Some smart phones and portable devices use proprietary USB connections and circuitry so they may not charge when connected to this Power Bank Charger. Please refer to your device's user manual before attempting to charge it.
- When charging a portable device by this unit, charging time may vary considerably depending on the battery status of the portable device.
- It is normal for the Power Bank Charger to get warm while charging your smartphone or portable device.

BATTERY CHARGE PERCENTAGE ON DEVICE WHEN POWER BANK IS FULLY CHARGED

Apple iPhone 4 / 4s / 5 / 5s	100%
iPhone 6	about 85%
Samsung S5	about 80%
HTC One	about 80%
Nexus 5	about 80%
Samsung Note 3	about 70%

Notes:

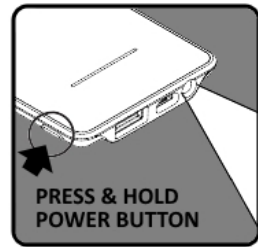
- Actual charge percent may vary based on product settings, usage patterns, operating environment and battery condition. Power Bank battery capacity decreases over time and use.

- Technically, you can use it to charge bigger gadgets like tablets (Apple iPad and Samsung Galaxy Tabs) but since the max output is only 1000 mA, charging those devices will take longer than usual.

USING THE BUILT-IN FLASHLIGHT

To switch ON the built-in flashlight, simply press and hold the Power Button for about 2 seconds.

To switch OFF, press and hold the Power Button for about 2 seconds again.



BATTERY SAFETY AND RECYCLING INSTRUCTIONS

Your Power Bank Charger contains a high energy Lithium Polymer rechargeable battery. Please observe the following safety and recycling instructions carefully.



Lithium Battery Safety Instructions

Do not burn or bury batteries. Do not puncture or crush. Do not disassemble. Recycle Lithium batteries. Do not dispose of in the trash.

If the electrolyte in the cells should get on your skin, thoroughly wash with soap and water. If in the eyes, rinse thoroughly with cool water. Immediately seek medical attention.

Use only chargers rated for Lithium cells. Be sure the charger’s voltage and current settings are correct for the battery pack being charged.

Charge the power bank on a fireproof surface away from flammable items or liquids.

Batteries should NEVER be left unattended while charging. Only adults should charge the power bank.

Follow the manufacturer’s instructions for charging the product and do not charge longer than recommended. Unplug the power source when the power bank battery is fully charged.



Recycle Rechargeable Batteries
Recycle your old rechargeable batteries at one of the many collection sites in the U.S. and Canada. To find the site nearest you, visit www.call2recycle.org or call toll-free 1-877-2-RECYCLE.

TROUBLESHOOTING GUIDE

If you have followed the instructions and are having difficulty operating the unit, locate the PROBLEM in the left column below. Check the corresponding POSSIBLE CAUSE and SOLUTION columns to locate and fix the problem.

PROBLEM	POSSIBLE CAUSE	SOLUTION
No LED lights when Power Button is pressed.	Battery power is exhausted.	Connect the unit to a USB AC adapter or computer USB port to recharge it as soon as possible.
The unit does not supply power to external device.	USB cable is not connected properly.	Clean both USB connectors of the USB cable and connect it properly again.
Cannot recharge the	There is no power from	Connect the USB AC adapter to a working AC

PROBLEM	POSSIBLE CAUSE	SOLUTION
unit.	the USB AC adapter or USB port of your PC.	power outlet and make sure PC is turned on.
	USB cable is damaged or not connected properly.	Change to a known good USB cable and reconnect properly.
The supply time is extremely short even when the unit is fully charged.	The unit has reached the end of its service life	Purchase a new unit (service life varies depending on use).

CARE AND MAINTENANCE

1. Clean your unit surface with a damp (never wet) cloth. Solvent or detergent should never be used.
2. Avoid leaving your unit in hot, humid or dusty places.
3. Keep clean the USB cable plugs, inside of the USB input and output ports and joining terminals of the unit.
4. Place or store the unit in a stable location.
5. To avoid an electric shock or damage to internal parts, never attempt to disassemble or reassemble this unit.

SPECIFICATIONS

Number of USB Output Ports :	1 x standard (Type A) USB connector
Number of USB Input Ports :	1 x micro USB connector
USB Output Power :	DC 5V $\overline{=}$ 1000 mA (max)
Battery Type & Capacity :	Lithium Polymer, DC 3.7V $\overline{=}$ 2400 mAh
Recommended Charging Sources :	USB AC Adapter rated at DC 5V $\overline{=}$ 1A or more Standard USB port of a personal computer or laptop
Average Charging Time :	3 ~ 4 hours using a 1A USB AC Adapter
Average Supply Time :	100 ~ 130 minutes at 1000 mA
Dimensions (W x H x D) :	2.38" x 4.35" x 0.39" / 60.5 x 110.5 x 10 mm
Net Weight :	2.5 oz / 70 grams
Operating Temperature :	32° ~ 95°F / 0° ~ 35°C

90 DAY LIMITED WARRANTY AND SERVICE VALID IN THE U.S.A. ONLY

SPECTRA MERCHANDISING INTERNATIONAL, INC. warrants this unit to be free from defective materials or factory workmanship for a period of 90 days from the date of original customer purchase and provided the product is utilized within the U.S.A. This warranty is not assignable or transferable. Our obligation under this warranty is the repair or replacement of the defective unit or any part thereof, except batteries, when it is returned to the SPECTRA Service Department, accompanied by proof of the date of original consumer purchase, such as a duplicate copy of a sales receipt.

You must pay all shipping charges required to ship the product to SPECTRA for warranty service. If the product is repaired or replaced under warranty, the return charges will be at SPECTRA's expense. There are no other express warranties other than those stated herein.

This warranty is valid only in accordance with the conditions set forth below:

1. The warranty applies to the SPECTRA product only while:
 - a. It remains in the possession of the original purchaser and proof of purchase is demonstrated.
 - b. It has not been subjected to accident, misuse, abuse, improper service, usage outside the

descriptions and warnings covered within the user manual or non-SPECTRA approved modifications.

- c. Claims are made within the warranty period.
2. This warranty does not cover damage or equipment failure caused by electrical wiring not in compliance with electrical codes or SPECTRA user manual specifications, or failure to provide reasonable care and necessary maintenance as outlined in the user manual.
3. Warranty of all SPECTRA products applies to residential use only and is void when products are used in a nonresidential environment or installed outside the United States.

This warranty gives you specific legal rights, and you may also have other rights which vary from state to state. TO OBTAIN SERVICE please remove all batteries (if any) and pack the unit carefully and send it freight prepaid to SPECTRA at the address shown below. IF THE UNIT IS RETURNED WITHIN THE WARRANTY PERIOD shown above, please include a proof of purchase (dated cash register receipt) so that we may establish your eligibility for warranty service and repair of the unit without cost. Also include a note with a description explaining how the unit is defective. A customer service representative may need to contact you regarding the status of your repair, so please include your name, address, phone number and email address to expedite the process.

IF THE UNIT IS OUTSIDE THE WARRANTY PERIOD, please include a check for **\$10.00** to cover the cost of repair, handling and return postage. All out of warranty returns must be sent prepaid.

It is recommended that you contact SPECTRA first at 1-800-777-5331 or by email at custserv@spectraintl.com for updated information on the unit requiring service. In some cases the model you have may be discontinued, and SPECTRA reserves the right to offer alternative options for repair or replacement.

To register your product, visit the link below to enter your information.

<http://www.spectraintl.com/wform.htm>

Licensed by:

Marino Andriani, LLC

Distributed by:

Spectra Merchandising International, Inc.

4230 North Normandy Avenue

Chicago, IL 60634, USA

www.spectraintl.com

0715

Printed in China